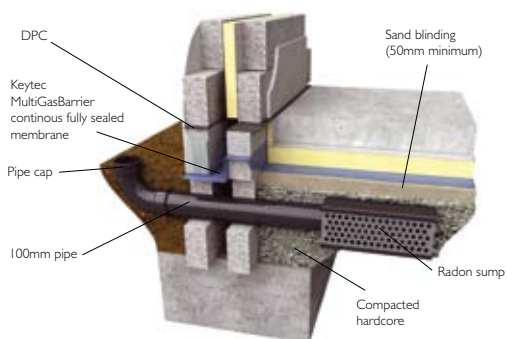
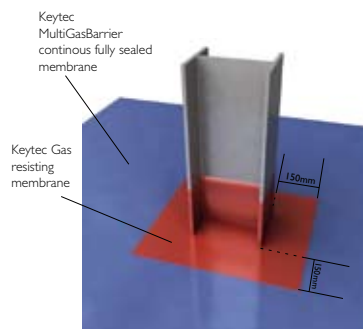


PROPERTY		UNIT	VALUE	TEST METHOD
Thickness		µm	300	EN 1849-2
Dimensions (width x length)		m	3 x 50	
Folded			to 1.5m	
<i>Other roll dimensions on request</i>				
Roll weight		kg	42.3	
Colour			Blue	
Radon permeability		m ² /s	4x10 ⁻¹²	
CO2 permeability		cm ³ /(m ² x d xbar)	950	DIN 53380-4
Equivalent air layer				
Thickness (23C° 0/75%rf)		m	> 100	EN ISO 12572
Water vapour permeability (23C° 0/75%rf)		g/m ² /day	0.16	EN ISO 12572
Tensile strength	MD	N/mm ²	≥ 24	EN 12311-2
	CD	N/mm ²	≥ 21	
Tensile elongation	MD	%	≥ 500	EN 12311-2
	CD	%	≥ 600	
Tear resistance	MD	N	≥ 75	EN 12310-2
	CD	N	≥ 85	
Nail tear resistance	MD	N	≥ 190	EN 12310-1
	CD	N	≥ 220	
Resistance to shear of joints		N	≥ 200	EN 12317-2
Dimensional stability	MD	%	-0.9	EN 1107-2
	CD	%	+0.5	
Puncture Resistance		N	≥ 141	ASTM D4833



Keytec Multi gas barrier under floating slab with collection sump and vent pipe



Sealing of a structural steel stanchion penetration seal